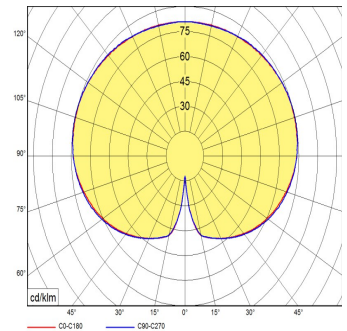
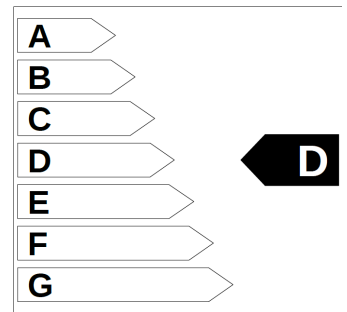
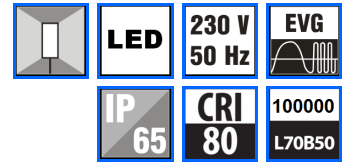


Pollux



POLLUX

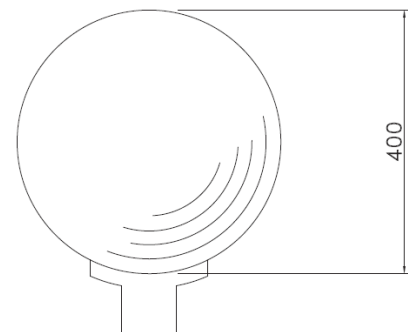
Body:
Chassis CH400 for installation on post 60 mm

Optic:
Opal ball dia. 400 mm, PMMA

LED:
Mid Power LED
3...warm white 3000K
4...cold white 4000K

Wiring:
ND LED driver – fixed output

Application:
Park luminaire for illuminating parks, pederastian zones, parking places etc.



	W	K	lm	lm/W	kg
POLLUX5000KO400	42	3000/4000	4900	117	5

lm – luminaire light output

Connector

Light source

