
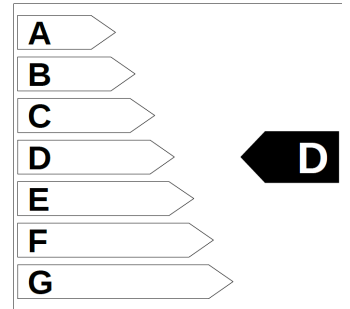


# Copernicus



	<b>LED</b>	<b>230 V</b> 50 Hz	<b>240 V</b> 50 Hz
<b>IP 65</b>	<b>max T<sub>a</sub></b> 45°C	<b>CRI</b> 80	<b>80 000</b> L80B50



**Body:**

made of black painted aluminium

**Diffusor:**

polycarbon

**LED:**

CRI>80, 5000K

**Wiring:**

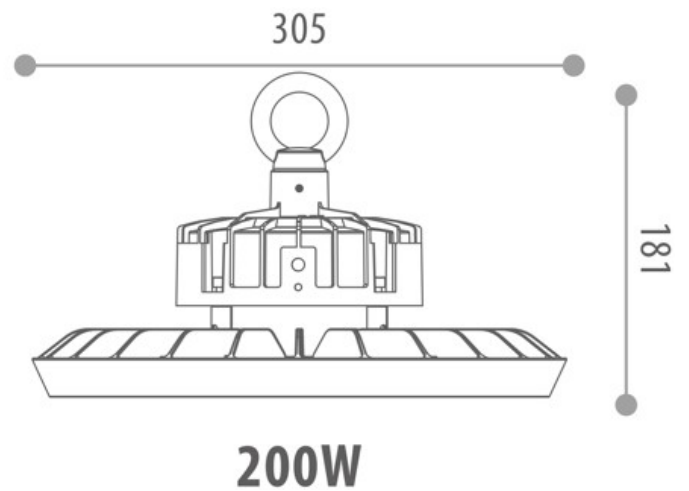
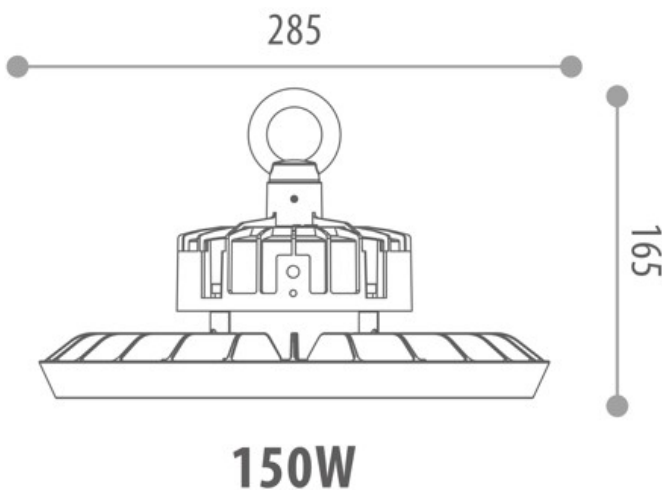
not-dimmable LED driver (standard)

**Application:**

Supermarkets, assembly halls, stock, etc – as an alternative for discharge lamp luminaires.

**Note:**

suitable for work in conditions ta -30°C to +45°C  
this luminaire is designed for suspension installation



	W	K	lm	lm/W
COPERNICUS 150	150	5000	19500	130
COPERNICUS 200	200	5000	26000	130